

Divisible Duct Seals 16mm

Filoform divisible duct sealing sets for subducts have been developed to provide an effective and simple solution to all Gas and Watertight duct sealing requirements.

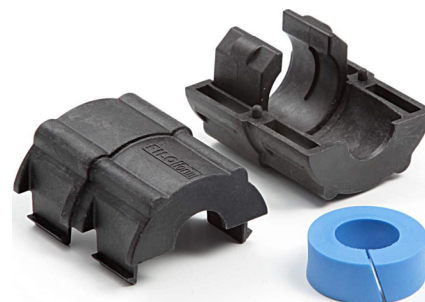
This modular system enables you to install it easily onto new and existing installations. Due to the compact design the seals can be installed in all situations, even in locations with difficult access.

For use on subducts of 16mm.

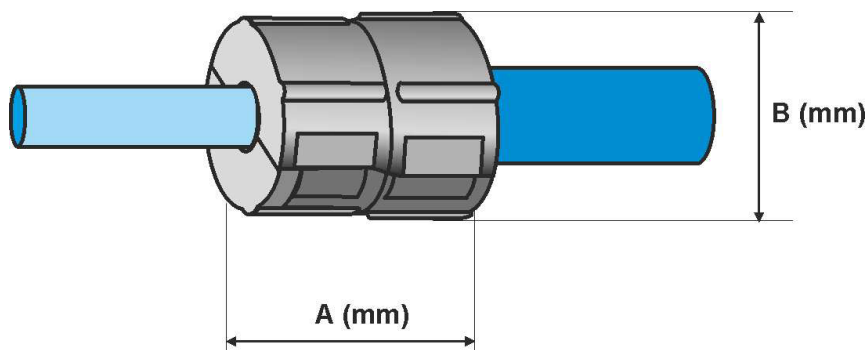
PATENTED

Optional Features

- Gas and Watertight up to 0.50 bar
- Suitable for retrofitting.
- Easy installation.
- Slim design.
- Other versions available upon request



Products					
Article Number	Product Name	Colour	Cable Diameter (mm)	Duct Outside Diameter (mm)	Order Unit
7822816.1	Duct Seal 16mm / 8.0 > 6.5mm	Blue	8.0 - 6.5	16	35pcs/Carton



Dimensions	A (mm)	B (mm)	Weight
Duct Seal 16mm	34	29	18

Properties	Value
Plastic Scales	Glassfibre Reinforced
Cutting Block	Glassfibre Reinforced
Sealing Plug	Silicone
Sealing	Up to 0,5 bar
Pull-Out Force Duct Seal vs Duct	≥ 160N
Mechanical Compression Strength	≥ 1000N, 10 sec.

Divisible Duct Seals 16mm

Contents

- 2 pieces of plastic shells with click together fixings
- 1 piece cutting block
- 1 rubber seal
- Illustrated installation instructions
- Other versions available upon request

