

## DCS-8515LH HD Pan & Tilt Wi-Fi Camera



### Product Highlights



**Auto Motion Tracking**  
Automatic Pan/Tilt to follow an object as it moves<sup>1</sup>



**Panorama View Position Selection**  
tap anywhere on the camera's field of view to quickly rotate to desired position



**Sound & Motion Detection**  
Receive alert notifications and record video clips

## Your Home, Only Smarter.

The mydlink™ HD Pan & Tilt Wi-Fi Camera provides a range of features to help you effectively monitor large areas of your home or small office at all hours of the day. The pan/tilt function allows the camera to patrol a wide area, while the integrated night vision provides around the clock surveillance, night or day. Fine details can be captured with 720p HD resolution whilst motion and sound detection, alerts you instantly when something unexpected happens, giving you extra peace of mind.

### Motorised Pan & Tilt for Whole Room Coverage

The DCS-8515LH uses a high-resolution megapixel sensor with motorised pan and tilt to give you a clear view of an entire room, front and back, with a single camera. You can quickly scan a wide area and zoom in on specific areas for more detail. For convenience, you can also preset specific positions, allowing you to quickly and easily access particular areas of interest. What's more, the Auto Motion Tracking function automatically pans/tilts to follow an object as it moves. With the built-in night vision, you can monitor and record, even in complete darkness.

### Instant Notification with Video Recording

Built-in motion and sound detection automatically alerts you and starts recording if movement or sound is detected. The integrated microSD card slot and optional free/paid mydlink™ cloud subscription allow you to store videos and snapshots locally or remotely to your personal cloud storage. You can even playback and download recorded videos from anywhere in the world on your smartphone or tablet. With the built-in microphone and speaker, you can talk to family members while viewing them on your screen.

## Features

- ◆ View your camera remotely from anywhere in the world, on your smartphone or tablet<sup>1</sup>
- ◆ Motorised pan and tilt to provide 340° horizontal and 105° vertical viewing angle
- ◆ Automatically pans/tilts to follow moving object<sup>2</sup>
- ◆ High-quality 720p HD images
- ◆ Integrated night vision
- ◆ Motion and sound detection with instant push notification alert
- ◆ Record video clips and snapshots<sup>3</sup> to the to your personal cloud storage<sup>4</sup> or to the integrated microSD card slot<sup>5</sup>
- ◆ Built-in microphone and speaker for two-way communication
- ◆ Works with mydlink Smart Home devices<sup>6</sup>, Amazon Alexa, the Google Assistant<sup>7</sup> and IFTTT
- ◆ Connects to your home's existing Wi-Fi network

### Do it All with the mydlink™ App

You can set up your camera in no time with the new mydlink™ app for your smartphone or tablet. Once set up, you can view and manage your camera from anywhere with an Internet access. With compatible mydlink™ smart home products, you can set up automation rules through interaction and scheduling. The One-Tap feature allows you to easily turn on/off multiple devices as well as detection alerts with a simple tap. This allows you to create scenes for when you are at home or away.

### Smart Home Compatible

See the live view on your camera with the sound of your voice! Experience hands-free control and convenience through Amazon Alexa and Google Assistant with compatible Amazon Echo and Google Home/Chromecast devices (sold separately) to easily see what's happening at home when your hands are full. Why not make your home smarter by setting up home automation with IFTTT. Turn a light on automatically when motion or sound is detected or send an SMS/e-mail to notify you.

### Product Images

Front View



Front View (tilted up)



Back View

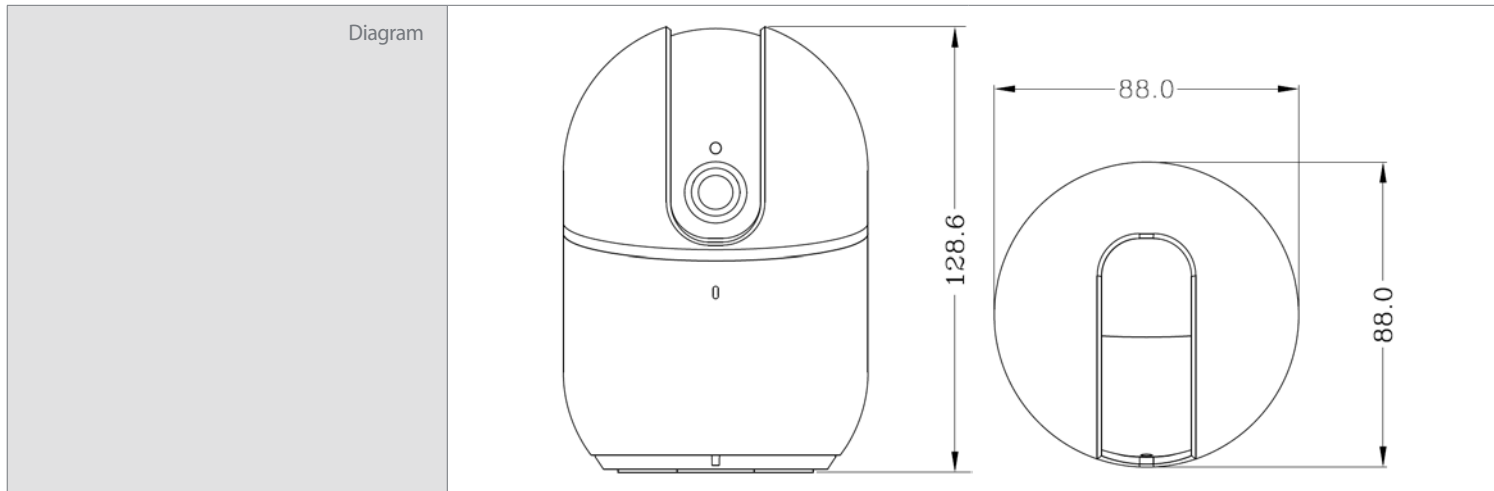


Bottom View



### Technical Specifications

| Camera                  |   |  |
|-------------------------|---|--|
| Hardware Profile        | <ul style="list-style-type: none"> <li>Built-in Microphone</li> <li>Built-in Speaker</li> </ul>   | <ul style="list-style-type: none"> <li>microSD slot<sup>4</sup></li> <li>Light sensor</li> </ul>   |
| Camera Lens             | <ul style="list-style-type: none"> <li>1/4" progressive CMOS sensor</li> <li>Lens focal length: 2.55 mm</li> <li>Aperture: F2.2</li> <li>Minimum illumination:                             <ul style="list-style-type: none"> <li>IR-LED on: 0 lux</li> </ul> </li> </ul> | <ul style="list-style-type: none"> <li>5 m (16 ft) IR illumination distance</li> <li>Infrared-Cut Removable (ICR) Filter</li> <li>Angle of view (16:9):                             <ul style="list-style-type: none"> <li>Horizontal: 96°</li> <li>Vertical: 53°</li> <li>Diagonal: 120°</li> </ul> </li> </ul> |
| Image Features          | <ul style="list-style-type: none"> <li>Configurable video resolution</li> <li>Configurable sound detection level</li> </ul>   | <ul style="list-style-type: none"> <li>Configurable motion detection windows</li> </ul>  |
| Video Compression       | <ul style="list-style-type: none"> <li>Simultaneous H.264 format compression</li> </ul>   | <ul style="list-style-type: none"> <li>JPEG for still images</li> </ul>  |
| Video Resolution        | <ul style="list-style-type: none"> <li>Main profile: 720p (1280 x 720) at up to 30 fps</li> </ul>   | <ul style="list-style-type: none"> <li>Second profile: 360p (480 x 360) at up to 30 fps</li> </ul>   |
| Audio Support           | <ul style="list-style-type: none"> <li>MPEG-2 AAC LC</li> </ul>   |  |
| Pan/Tilt                |   |  |
| Pan Range               | <ul style="list-style-type: none"> <li>-170° to +170° (total 340°)</li> </ul>   | <ul style="list-style-type: none"> <li>30° per second</li> </ul>   |
| Tilt Range              | <ul style="list-style-type: none"> <li>-10° to +95° (total 105°)</li> </ul>   | <ul style="list-style-type: none"> <li>25° per second</li> </ul>   |
| Network                 |   |  |
| Connectivity            | <ul style="list-style-type: none"> <li>802.11n/g/b wireless with WPA/WPA2 encryption</li> </ul>   | <ul style="list-style-type: none"> <li>Bluetooth Low Energy (BLE) 4.0</li> </ul>   |
| Network Protocols       | <ul style="list-style-type: none"> <li>IPv6 ARP/ ICMP, IPv4 ARP/ ICMP, TCP/IP, UDP</li> <li>DHCP Client</li> </ul>  | <ul style="list-style-type: none"> <li>HTTPS</li> <li>Bonjour</li> </ul>   |
| System Integration      |   |  |
| Event Management        | <ul style="list-style-type: none"> <li>Motion detection</li> <li>Sound detection</li> <li>Cloud recording<sup>5</sup></li> <li>SD card recording<sup>4</sup></li> </ul>   | <ul style="list-style-type: none"> <li>Manually taken snapshots &amp; video clips are saved to mobile device</li> <li>Push notifications</li> </ul>  |
| Mobile Support          | <ul style="list-style-type: none"> <li>mydlink™ app<sup>1</sup> for iOS, and Android devices</li> </ul>   |  |
| Physical                |   |  |
| Environment             | <ul style="list-style-type: none"> <li>For indoor use only</li> </ul>   |  |
| Power Adapter           | <ul style="list-style-type: none"> <li>Input: 100 to 240 V AC, 50/60 Hz</li> </ul>  | <ul style="list-style-type: none"> <li>Output: 5 V DC 1.2 A (Micro-USB)</li> </ul>   |
| Power Consumption       | <ul style="list-style-type: none"> <li>Maximum: 6 W</li> </ul>  |  |
| Temperature             | <ul style="list-style-type: none"> <li>Operating: 0 to 40 °C (32 to 104 °F)</li> </ul>  | <ul style="list-style-type: none"> <li>Storage: -20 to 70 °C (-4 to 158 °F)</li> </ul>   |
| Humidity                | <ul style="list-style-type: none"> <li>Operating: 20% to 80% non-condensing</li> </ul>  | <ul style="list-style-type: none"> <li>Storage: 5% to 95% non-condensing</li> </ul>  |
| Certifications          | <ul style="list-style-type: none"> <li>CE</li> <li>CE LVD</li> </ul>  | <ul style="list-style-type: none"> <li>FCC</li> <li>ICES</li> </ul>  |
| Dimensions ( L x W x H) | <ul style="list-style-type: none"> <li>88 x 88 x 128.5 mm (3.47 x 3.47 x 5.06 in)</li> </ul>  |  |
| Weight                  | <ul style="list-style-type: none"> <li>Camera: 340 g (11.99 oz)</li> </ul>  | <ul style="list-style-type: none"> <li>Wall Mount: 11 g (0.39 oz)</li> </ul>   |



<sup>1</sup> Smartphone or tablet must have access to the Internet via Wi-Fi or mobile Internet. Please refer to the app's store page to check whether your device is compatible.

<sup>2</sup> Motion tracking feature can only track a single object at a time. Performance may be affected when multiple objects are moving within the camera's field of view.

<sup>3</sup> Use of audio or video equipment for recording the image or audio of a person without their knowledge and consent is prohibited in certain states or jurisdictions. The end-user assumes all liability for compliance with applicable state, local and federal laws.

<sup>4</sup> Camera is compatible with microSD/SDHC/SDXC cards up to v3.01 with up to 256GB of capacity. Camera is not compatible with v4.x cards.

<sup>5</sup> Free or paid subscription required. Please visit [www.mydlink.com](http://www.mydlink.com) for more details.

<sup>6</sup> Please visit [www.dlink.com](http://www.dlink.com) for more information on mydlink products that support Smart Home functionality.

<sup>7</sup> Alexa service and the Google Assistant may not be available in all regions.



For more information: [www.dlink.com](http://www.dlink.com)



Updated January 2019