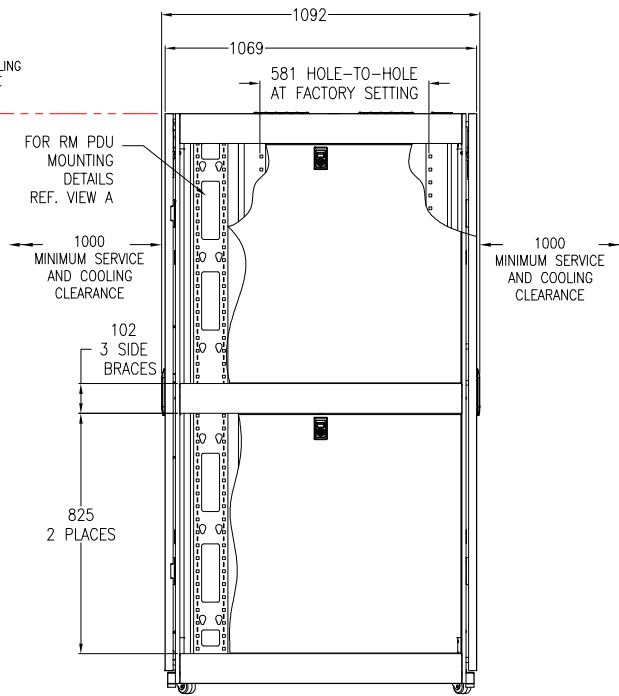
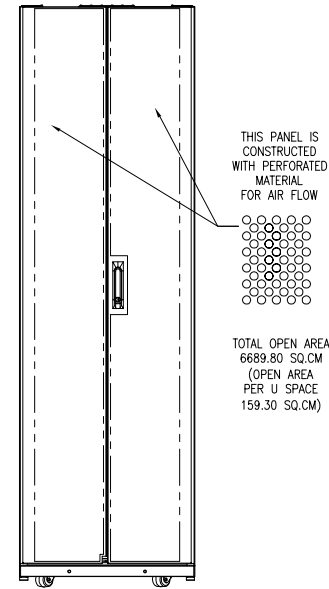


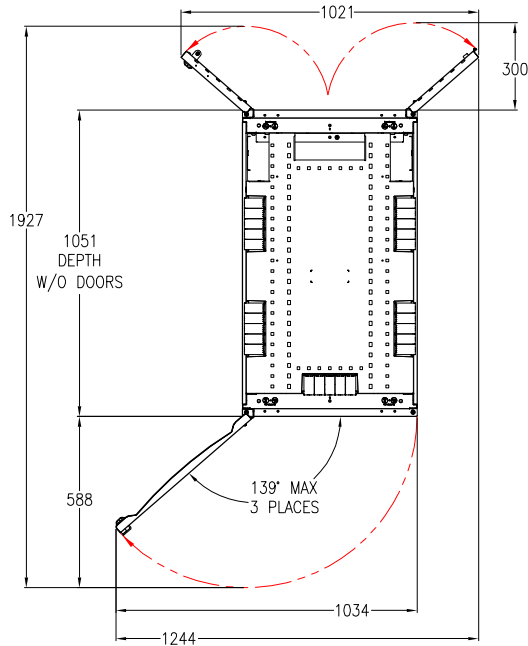
FRONT VIEW



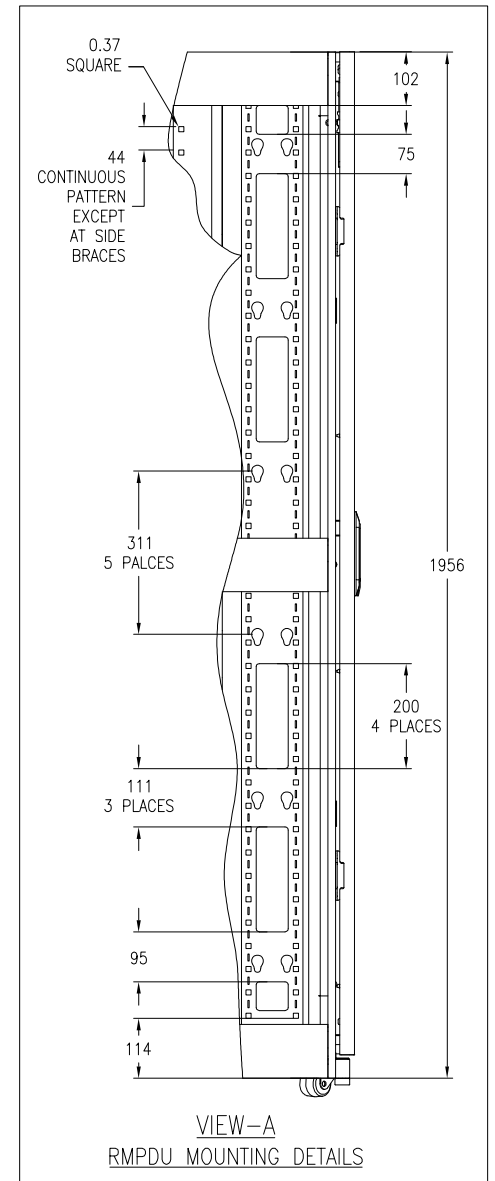
SIDE VIEW



REAR VIEW



TOP VIEW
(DOORS FULLY OPEN)



VIEW-A
RMPDU MOUNTING DETAILS

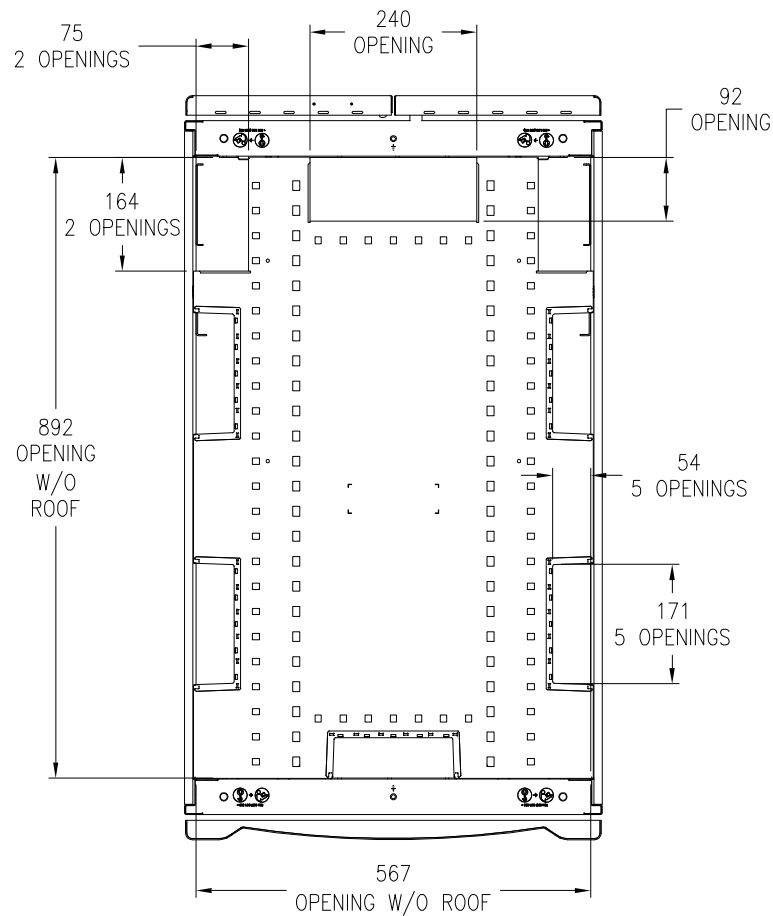
NOTES:

1. ALL DIMENSIONS ARE IN MILLIMETERS.
2. CABLE ENTRY IS TOP OR BOTTOM OF UNIT.
3. FRONT AND REAR SERVICE ACCESS.
4. NET WEIGHT OF UNIT IS 124.5 Kg.
5. INSTALLATION MUST COMPLY WITH NATIONAL AND LOCAL ELECTRICAL REGULATIONS.

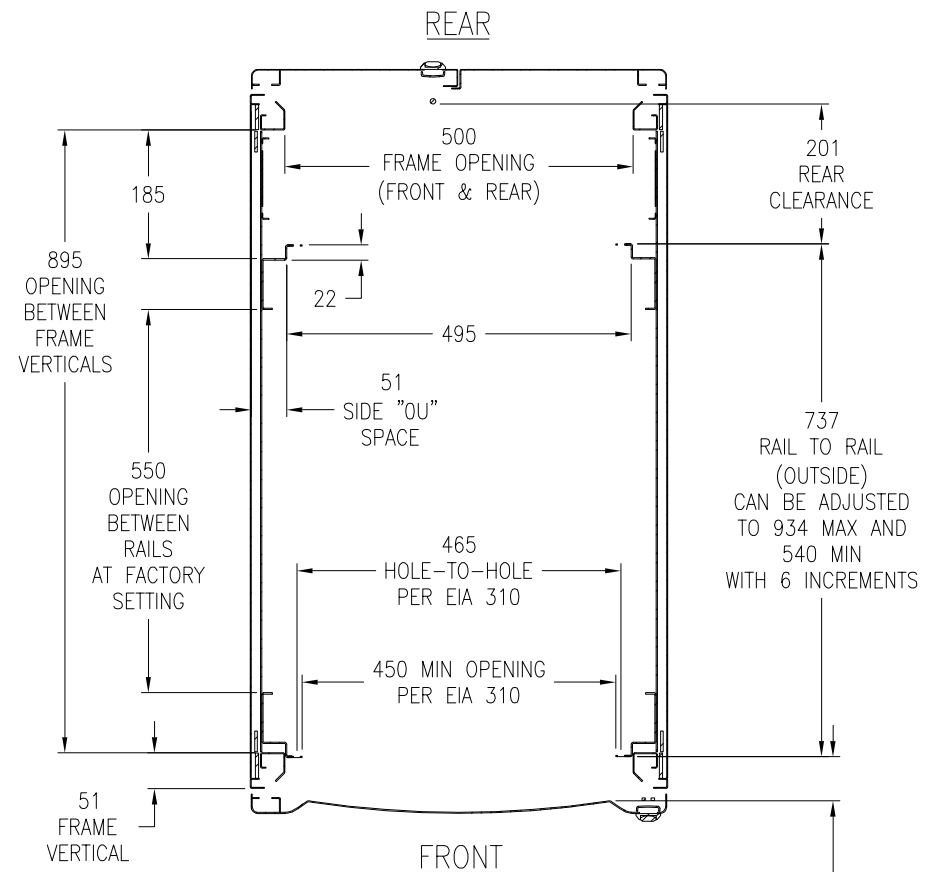
THIS DRAWING AND SPECIFICATIONS HEREIN ARE THE PROPERTY OF AMERICAN POWER CONVERSION AND SHALL NOT BE COPIED, REPRODUCED OR USED IN WHOLE OR IN PART, AS THE BASIS FOR THE MANUFACTURE OR SALE OF ITEMS WITHOUT WRITTEN PERMISSION FROM APC. THIS DRAWING IS BASED UPON LATEST AVAILABLE INFORMATION AND IS SUBJECT TO CHANGE WITHOUT NOTICE.

TITLE:	NETSHELTER SX 42U ENCLOSURE WITH SIDES, 600mm W x 1070mm D MAIN MECHANICAL	DWG NO:	AR3100 - MM1	REV.	-
DRAWN:	BALAMURUGAN	CHECKED:	J.MATTLIN	PROJECTION	15/03/06
PROJECT:	SUBMITTAL DRAWING	ENGINEER:	C.LARSEN/S.WAGH		15/03/06
	SHEET 1 OF 3				





TOP VIEW
CABLE OPENINGS
(COVERS REMOVED)



SECTION B-B
(VIEW FROM INSIDE CABINET,
LOOKING DOWN)

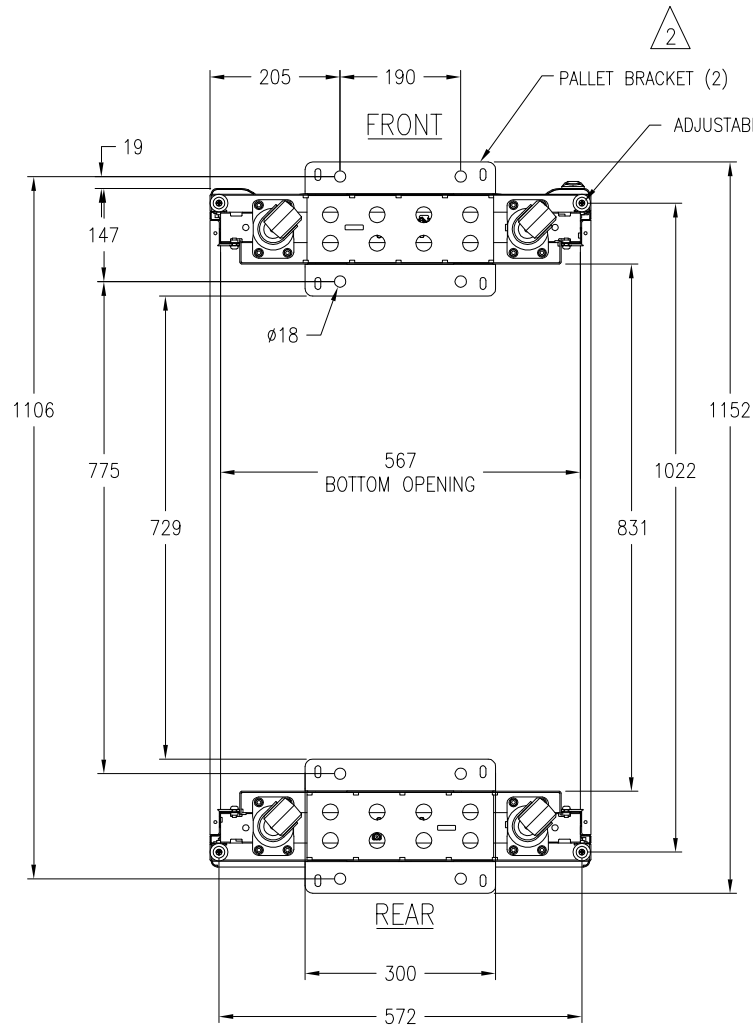
NOTES:

1. ALL DIMENSIONS ARE IN MILLIMETERS.
2. INSTALLATION MUST COMPLY WITH NATIONAL AND LOCAL ELECTRICAL REGULATIONS.

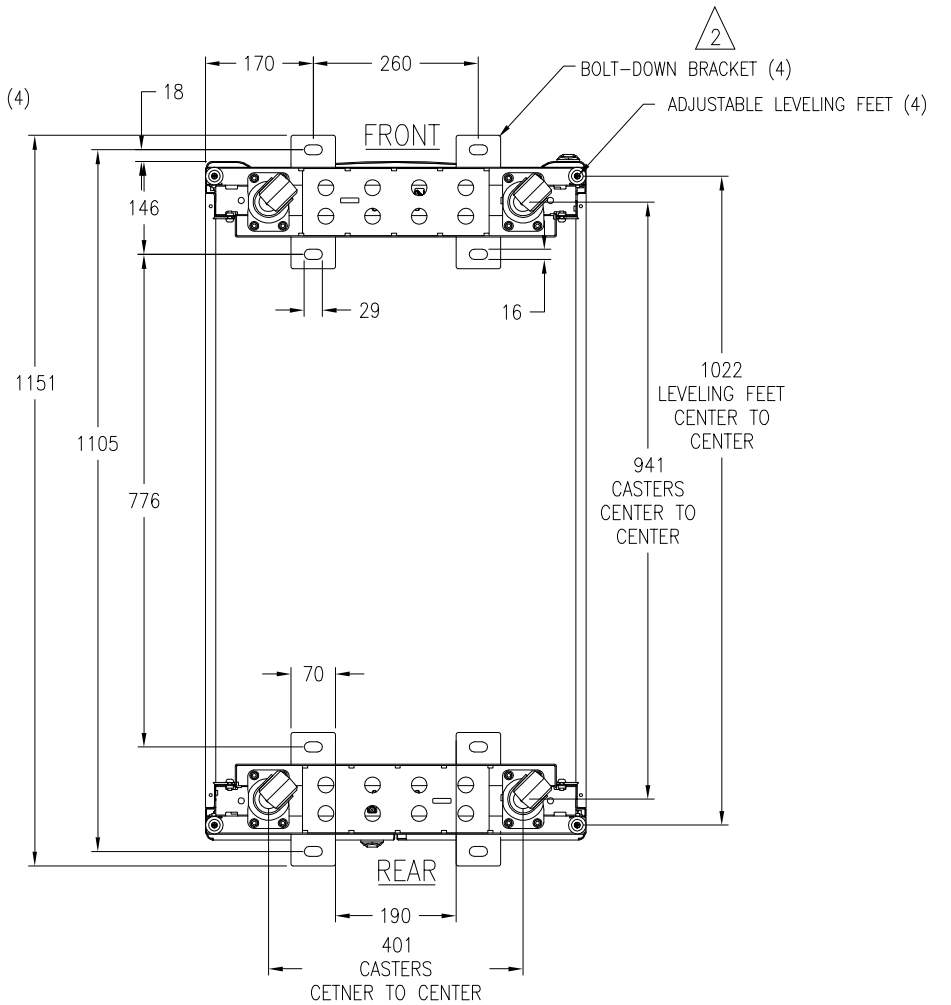
THIS DRAWING AND SPECIFICATIONS HEREIN ARE THE PROPERTY OF AMERICAN POWER CONVERSION AND SHALL NOT BE COPIED, REPRODUCED OR USED IN WHOLE OR IN PART, AS THE BASIS FOR THE MANUFACTURE OR SALE OF ITEMS WITHOUT WRITTEN PERMISSION FROM APC. THIS DRAWING IS BASED UPON LATEST AVAILABLE INFORMATION AND IS SUBJECT TO CHANGE WITHOUT NOTICE.

TITLE: NETSHELTER SX 42U ENCLOSURE WITH SIDES, 600mm W x 1070mm D TOP AND SECTION VIEWS	DWG NO: AR3100 -- MM2	REV. --
PROJECT: SUBMITTAL DRAWING	DRAWN: BALAMURUGAN	07/02/06
SHEET 2 OF 3	CHECKED: J.MATTLIN	15/03/06
	ENGINEER: C.LARSEN/S.WAGH	15/03/06





BOTTOM VIEW
(WITH PALLET BRACKETS
(CAN BE USED FOR ANCHORING))



BOTTOM VIEW
(WITH OPTIONAL BOLT-DOWN BRACKETS
FOR ANCHORING)

NOTES:

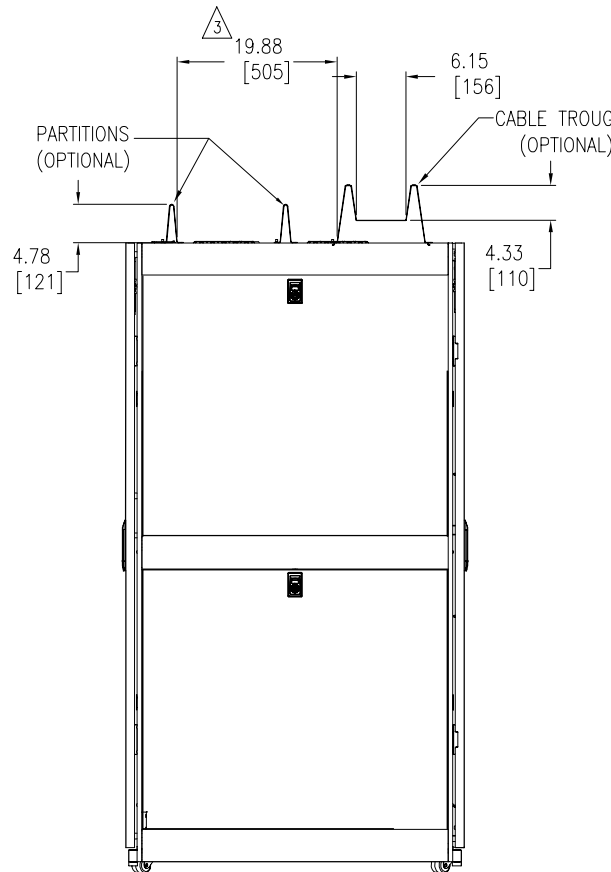
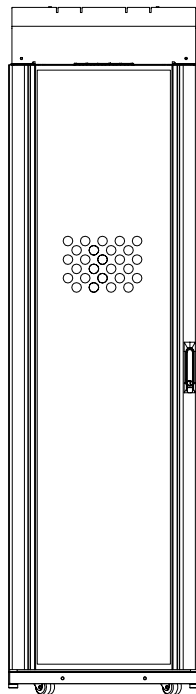
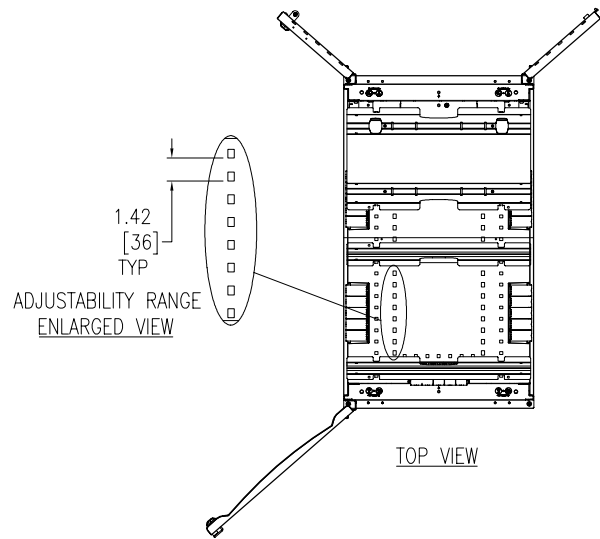
1. ALL DIMENSIONS ARE IN INCHES [MILLIMETERS].
- △ 2 ANCHORING BRACKETS CAN BE INSTALLED EITHER INSIDE OR OUTSIDE THE NETSHELTER.
3. INSTALLATION MUST COMPLY WITH ALL APPLICABLE NATIONAL AND LOCAL CODES.

THIS DRAWING AND SPECIFICATIONS HEREIN ARE THE PROPERTY OF AMERICAN POWER CONVERSION AND SHALL NOT BE COPIED, REPRODUCED OR USED IN WHOLE OR IN PART, AS THE BASIS FOR THE MANUFACTURE OR SALE OF ITEMS WITHOUT WRITTEN PERMISSION FROM APC. THIS DRAWING IS BASED UPON LATEST AVAILABLE INFORMATION AND IS SUBJECT TO CHANGE WITHOUT NOTICE.

TITLE: NETSHELTER SX 42U ENCLOSURE WITH SIDES, 600mm W x 1070mm D BOTTOM VIEWS	DWG NO: AR3100 - MM3	REV. -
PROJECT: SUBMITTAL DRAWING	DRAWN: BALAMURUGAN	07/02/06
SHEET 3 OF 3	CHECKED: J.MATTLIN	15/03/06
	ENGINEER: C.LARSEN/S.WAGH	15/03/06

PROJECTION

AMERICAN POWER CONVERSION
132 FABRICATIONS RD
WEST KINGSTON, RI 02892



NOTES:

1. ALL DIMENSIONS ARE IN INCHES [MILLIMETERS].
- △ 2. THIS DRAWING REPRESENTS NETSHELTER WITH OPTIONAL TROUGH AND PARTITION ACCESSORIES. PARTITION CABLING AREA CAN BE ADJUSTED TO MEET CUSTOMERS REQUIREMENTS.
3. INSTALLATION MUST COMPLY WITH ALL APPLICABLE NATIONAL AND LOCAL CODES.

THIS DRAWING AND SPECIFICATIONS HEREIN ARE THE PROPERTY OF AMERICAN POWER CONVERSION AND SHALL NOT BE COPIED, REPRODUCED OR USED IN WHOLE OR IN PART, AS THE BASIS FOR THE MANUFACTURE OR SALE OF ITEMS WITHOUT WRITTEN PERMISSION FROM APC. THIS DRAWING IS BASED UPON LATEST AVAILABLE INFORMATION AND IS SUBJECT TO CHANGE WITHOUT NOTICE.

TITLE: NETSHELTER SX 42U ENCLOSURE WITH SIDES, 24Wx42DC WIRE TROUGH AND PARTITIONS VIEWS		DWG NO: AR3100-MM4	REV. —
DRAWN BY: B ZAHN		03/21/06	
CHECKED BY: J MATTLIN		03/23/06	
PROJECT: SUBMITTAL DRAWINGS	SHEET 4 OF 4	ENGINEER: C LARSEN/S WAGH	03/23/06

